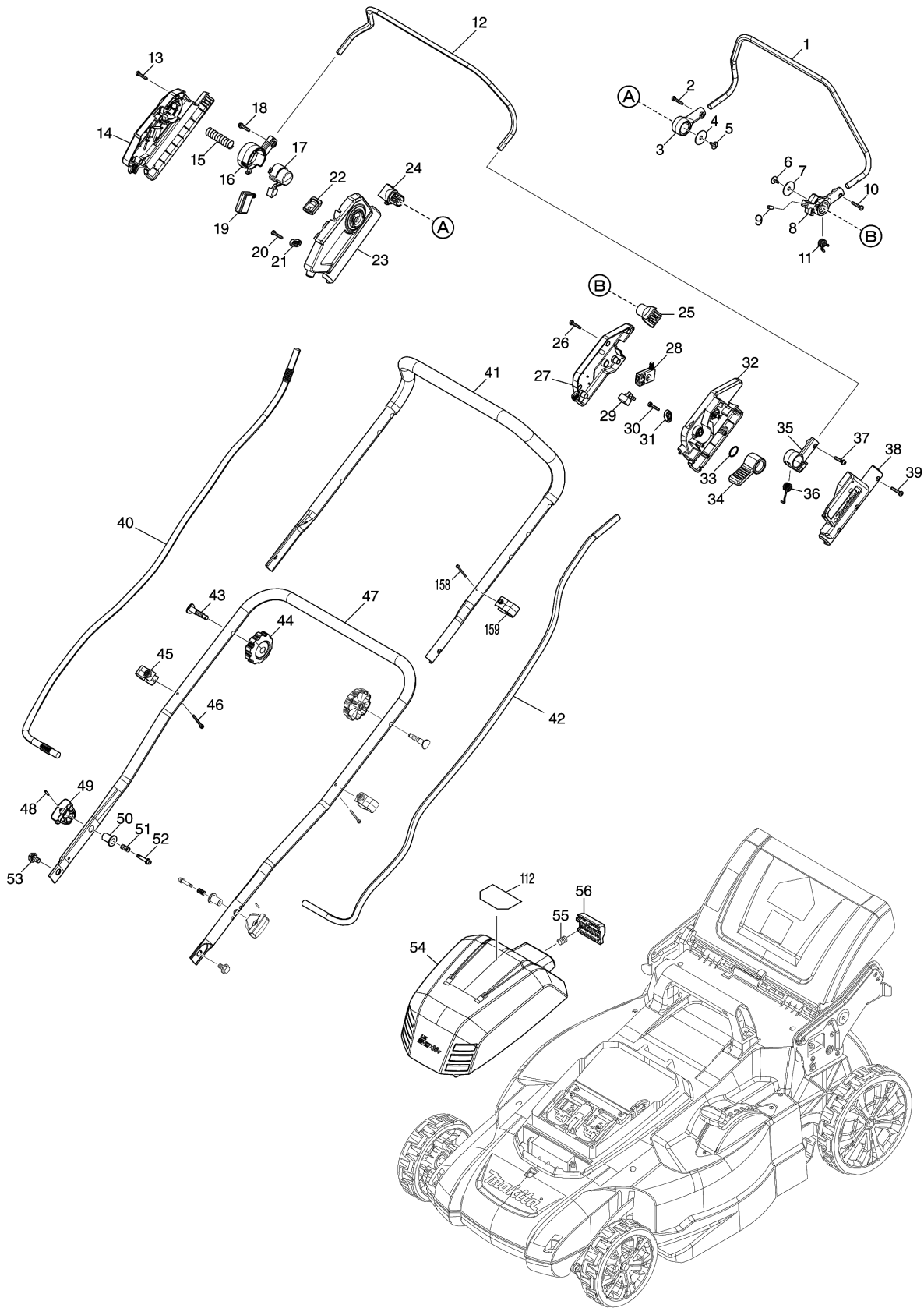
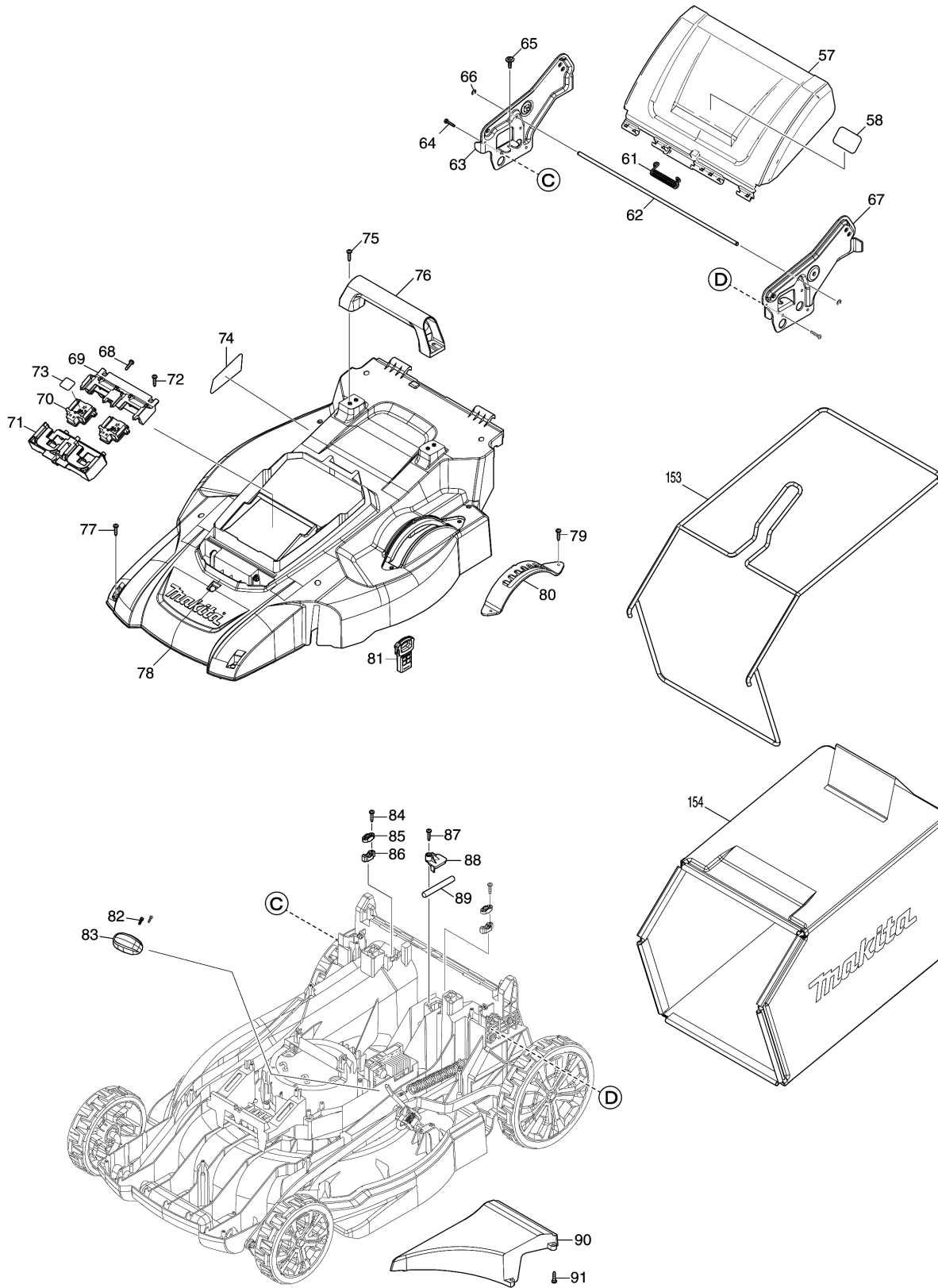


Model No.DLM481 480MM CORDLESS LAWN MOWER



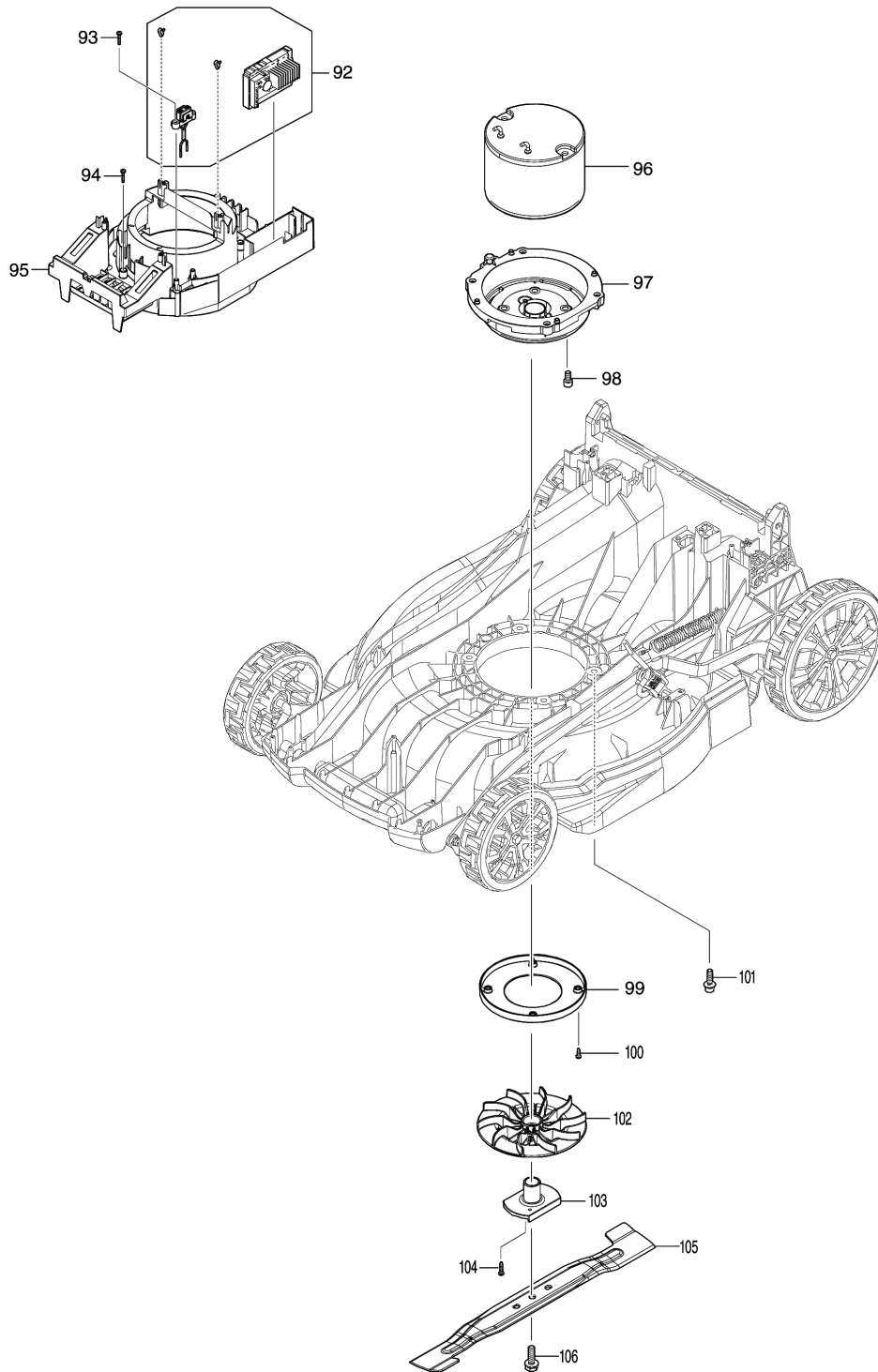


Model No.DLM481 480MM CORDLESS LAWN MOWER



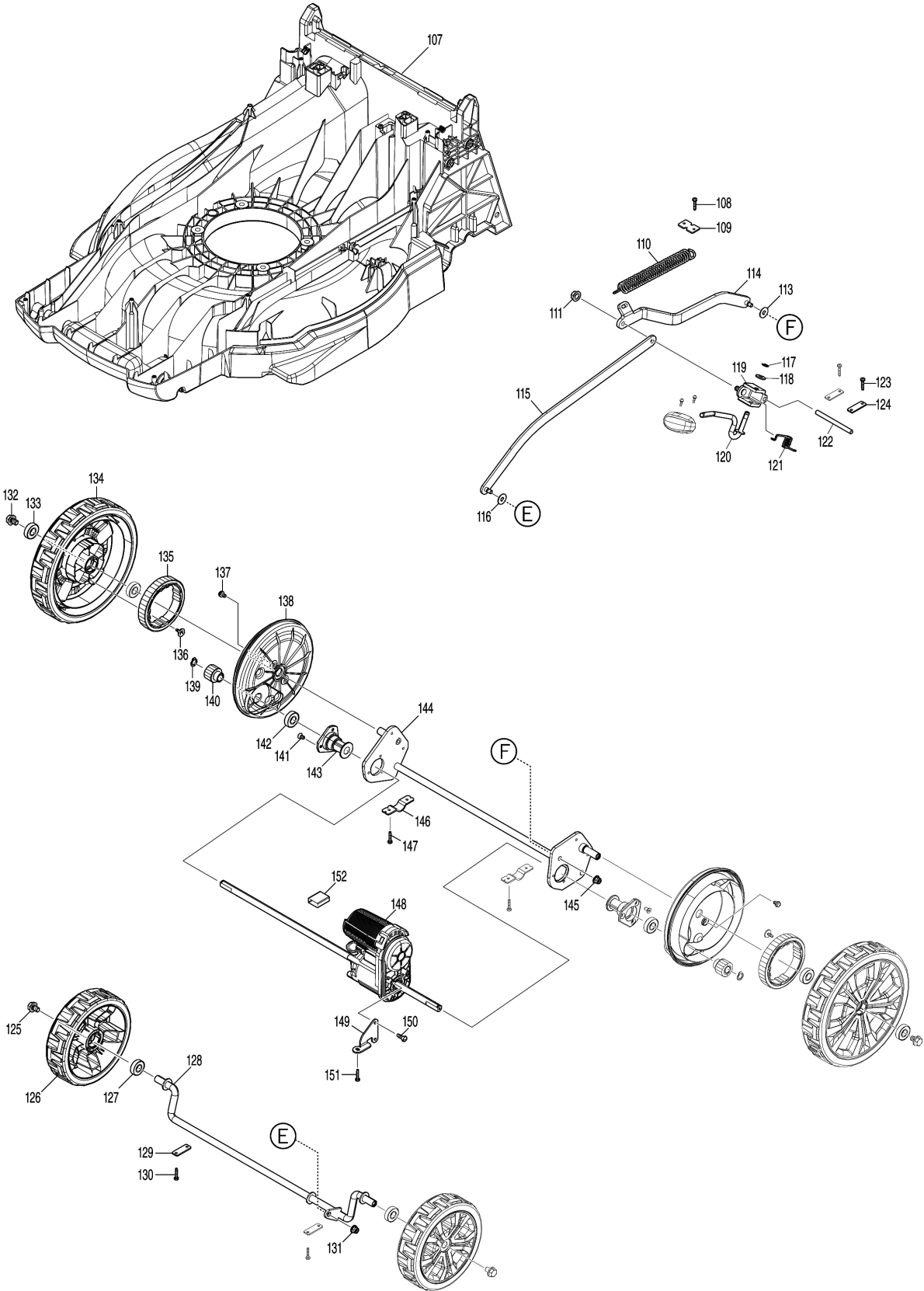


Model No.DLM481 480MM CORDLESS LAWN MOWER





Model No.DLM481 480MM CORDLESS LAWN MOWER







Model No.DLM481 480MM CORDLESS LAWN MOWER

Položaj	Številka dela	Opis	Sprememba	Količina	New/Old	Opcijsko 1	Opcijsko 2	Opomba
001	327425-6	DRIVING LEVER		1				
002	911138-5	Vijak z nizko cilindrično glavo M4x20		1				
003	459858-8	DRIVING LEVER SUPPORT R		1				
C10	931102-0	Šesterokotna matica M4		1				
004	253814-8	Ploska kovinska podložka 8		1				
005	265620-9	TAPPING SCREW FLANGE 4X18		1				
006	265620-9	TAPPING SCREW FLANGE 4X18		1				
007	253814-8	Ploska kovinska podložka 8		1				
008	413B10-4	DRIVING LEVER SUPPORT L		1				
C10	931102-0	Šesterokotna matica M4		1				
009	268225-4	PIN 5		1				
010	911138-5	Vijak z nizko cilindrično glavo M4x20		1				
011	232566-4	TORSION SPRING 12		1				
012	327424-8	SWITCH LEVER		1				
013	266424-2	Samovrezni vijak 4x20 TM3000C		7				
014	183V30-9	SWITCH BOX SET		1				
C10	8045G7-5	INDICATION LABEL		1				
D10		INC. 23						
015	231227-3	Tlačna spiralna vzmet 15		1				
016	413A99-6	SWITCH LEVER SUPPORT R		1				
C10	931102-0	Šesterokotna matica M4		1				
017	413B00-7	LOCK OFF BUTTON		1				
018	911138-5	Vijak z nizko cilindrično glavo M4x20		1				
019	651083-9	SWITCH C3XA-1PSPM		1				
020	266424-2	Samovrezni vijak 4x20 TM3000C		2				
021	687123-7	PCRAIN RELIEF		1				
022	141H35-1	SWITCH CIRCUIT COMPLETE		1				
C10	810D46-0	SWITCH LABEL		1				
023	183V30-9	SWITCH BOX SET		1				
C10	8045G7-5	INDICATION LABEL		1				
D10		INC. 14						
024	413A98-8	DRIVING LEVER HOLDER		1				
025	413A98-8	DRIVING LEVER HOLDER		1				
026	266424-2	Samovrezni vijak 4x20 TM3000C		5				
027	183U35-3	LEVER BOX SET		1				
D10		INC. 38						
028	651083-9	SWITCH C3XA-1PSPM		1				

Model No.DLM481 480MM CORDLESS LAWN MOWER

Položaj	Številka dela	Opis	Sprememba	Količina	New/Old	Opcijsko 1	Opcijsko 2	Opomba
029	620415-1	SUB CONTROLLER		1				
030	266424-2	Samovrezni vijak 4x20 TM3000C		2				
031	687123-7	PCRAIN RELIEF		1				
032	413A95-4	LEVER BOX C		1				
033	213A12-2	O-RING 18		1				
034	413B01-5	SPEED LEVER		1				
035	459863-5	SWITCH LEVER SUPPORT L		1				
C10	931102-0	Šesterokotna matica M4		1				
036	232575-3	TORSION SPRING 12		1				
037	911138-5	Vijak z nizko cilindrično glavo M4x20		1				
038	183U35-3	LEVER BOX SET		1				
D10		INC. 27						
039	266424-2	Samovrezni vijak 4x20 TM3000C		5				
040	699184-5	POWER SUPPLY CORD UNIT		1				
041	327871-3	HANDLE UPPER		1				
042	699185-3	POWER SUPPLY CORD UNIT		1				
043	265C08-1	FLAT HEAD BOLT M8X50		2				
044	265C06-5	THUMB NUT M8		2				
045	413944-9	CLAMP		2				
C10	931102-0	Šesterokotna matica M4		2				
046	911163-6	Vijak z nizko cilindrično glavo M4X35 AK3622		2				
047	122A73-0	HANDLE LOWER ASSEMBLY		1				
D10		INC. 48-52						
048	258004-8	Vzmetni zatič 2.5-16		2				
049	413943-1	KNOB		2				
050	327877-1	LOCK HOLDER		2				
051	234121-8	Tlačna spiralna vzmet 8 FS4300		2				
052	327876-3	LOCK PIN		2				
053	265C07-3	HEX. BOLT M8		2				
054	141F56-1	BATTERY COVER COMPLETE		1				
C10	890380-0	CAUTION LABEL		1				
055	231037-8	Tlačna spiralna vzmet 7		1				
056	413B03-1	LOCK LEVER		1				
057	141J54-9	REAR FLAP COMPLETE		1				
D10		INC. 58						
058	8047H5-8	CAUTION LABEL		1				
061	232721-8	TORSION SPRING 8		1				
062	327874-7	ROD 6		1				

Model No.DLM481 480MM CORDLESS LAWN MOWER

Položaj	Številka dela	Opis	Sprememba	Količina	New/Old	Opcijsko 1	Opcijsko 2	Opomba
063	347867-8	HANDLE BRACKET R		1				
064	266553-1	TAPPING SCREW 5X30		6				
065	265C05-7	TAPPING SCREW FRANGE 5X20		2				
066	961018-5	Zaporno tesnilo E-5		2				
067	347866-0	HANDLE BRACKET L		1				
068	266424-2	Samovrezni vijak 4x20 TM3000C		3				
069	183N35-1	TERMINAL HOUSING SET		1				
C10	263005-3	Gumi zatič 6		4				
D10		INC. 71						
070	644809-6	TERMINAL		2				
071	183N35-1	TERMINAL HOUSING SET		1				
C10	263005-3	Gumi zatič 6		4				
D10		INC. 69						
072	266424-2	Samovrezni vijak 4x20 TM3000C		3				
073	8114F4-1	DLM481 SERIAL NO. LABEL		1				
074	8114F1-7	DLM481 NAME PLATE		1				
075	266424-2	Samovrezni vijak 4x20 TM3000C		4				
076	413938-4	REAR GRIP		1				
077	266424-2	Samovrezni vijak 4x20 TM3000C		11				
078	141J45-0	COWLING COMPLETE		1				
C10	422789-4	SPONGE SEAL		1				
C20	8031N0-1	INDICATION LABEL		2				
079	266424-2	Samovrezni vijak 4x20 TM3000C		2				
080	162993-0	HEIGHT ADJUST PLATE		1				
081	643535-4	KEY		1				
082	266816-5	+ PAN HEAD SCREW M3X12 WITH WR		2				
083	413939-2	HEIGHT ADJUST LEVER GRIP		1				
084	266424-2	Samovrezni vijak 4x20 TM3000C		4				
085	687123-7	PCRAIN RELIEF		2				
086	687051-6	PCRAIN RELIEF		2				
087	266424-2	Samovrezni vijak 4x20 TM3000C		1				
088	413B08-1	LEAD COVER		1				
089	699182-9	POWER SUPPLY CORD UNIT		1				
090	413924-5	DECK REAR COVER		1				
091	266424-2	Samovrezni vijak 4x20 TM3000C		4				
092	620G77-7	CONTROLLER		1				
093	266424-2	Samovrezni vijak 4x20 TM3000C		2				

Model No.DLM481 480MM CORDLESS LAWN MOWER

Položaj	Številka dela	Opis	Sprememba	Količina	New/Old	Opcijsko 1	Opcijsko 2	Opomba
094	266424-2	Samovrezni vijak 4x20 TM3000C		4				
095	413B05-7	MOTOR COVER		1				
096	629A90-6	DC MOTOR		1				
097	141H61-0	MOTOR BRACKET COMPLETE		1				
098	922422-3	Inbus vijak M8X16 BPJ140		4				
099	459853-8	BAFFLE PLATE		1				
100	266385-6	Samovrezni vijak 4x14		4				
101	265C22-7	H.S.H.BOLT M8X30 WITH WG		4				
102	240229-8	FAN 170		1				
103	313393-9	BLADE SUPPORT 480		1				
104	266424-2	Samovrezni vijak 4x20 TM3000C		2				
105	191V97-3	BLADE 480 SET		1				
106	265A69-9	HEX. BOLT M10X35 WITH WG		1				
107	413A61-1	DECK		1				
108	266424-2	Samovrezni vijak 4x20 TM3000C		2				
109	347870-9	HOOK PLATE		1				
110	232717-9	TENSION SPRING 17		1				
111	252301-4	HEX. FLANGE LOCK NUT M6-10		1				
112	8046H7-8	INDICATION LABEL		1				
113	253731-2	Ploska podložka 8		1				
114	347873-3	CONNECTING ROD R		1				
115	347872-5	CONNECTING ROD F		1				
116	253731-2	Ploska podložka 8		1				
117	961012-7	Zaporno tesnilo E-6		1				
118	267281-1	Ploska kovinska podložka 15 GA9010C		1				
119	313389-0	ROD HOLDER		1				
120	327872-1	HEIGHT ADJUST LEVER		1				
121	232715-3	TORSION SPRING 9		1				
122	327873-9	ROD 7		1				
123	266424-2	Samovrezni vijak 4x20 TM3000C		4				
124	347869-4	PLATE		2				
125	265324-3	HEX. FLANGE HEAD BOLT M8x12		2				
126	141E34-5	TIRE 180 COMPLETE		2				
127	210163-6	BALL BEARING 6001DDW		2				
128	162991-4	FRONT SHAFT		1				
129	347869-4	PLATE		2				
130	266424-2	Samovrezni vijak 4x20 TM3000C		4				

Model No.DLM481 480MM CORDLESS LAWN MOWER

Položaj	Številka dela	Opis	Sprememba	Količina	New/Old	Opcijsko 1	Opcijsko 2	Opomba
131	252301-4	HEX. FLANGE LOCK NUT M6-10		1				
132	265324-3	HEX. FLANGE HEAD BOLT M8x12		2				
133	210163-6	BALL BEARING 6001DDW		4				
134	141F63-4	TIRE 230 COMPLETE		2				
135	227913-2	SPUR GEAR 49		2				
136	265B00-1	TAPPING SCREW FLANGE 4X12		4				
137	911208-0	Vijak z nizko cilindrično glavo M5X10 AH3655		4				
138	413B06-5	WHEEL CAP		2				
139	961052-5	Zaščitni obroč S-12		2				
140	227912-4	SPUR GEAR 11		2				
141	251951-2	Inbus vijak M5		6				
142	210163-6	BALL BEARING 6001DDW		2				
143	313390-5	REAR SHAFT HOLDER		2				
144	162992-2	REAR SHAFT		1				
145	252301-4	HEX. FLANGE LOCK NUT M6-10		1				
146	347865-2	CLAMP 19		2				
147	266553-1	TAPPING SCREW 5X30		4				
148	122B04-5	DRIVE UNIT		1				
149	347887-2	BRACKET		1				
150	266388-0	Samovrezni vijak 5x16		2				
151	266553-1	TAPPING SCREW 5X30		1				
152	683A20-1	POLYOLEFIN TUBE		1				
153	162A29-1	GRASS CATCHER BRACKET		1				
154	162A28-3	GRASS CATCHER		1				
158	911163-6	Vijak z nizko cilindrično glavo M4X35 AK3622		1				
159	413944-9	CLAMP		1				
C10	931102-0	Šesterokotna matica M4		1				
A01	327589-6	ROD 6		1				
A02	413946-5	MULCHING PLUG 480		1				
A03	782210-8	SOCKET WRENCH 17		1				
A04B	***DC18SH	DC18SH TWO PORT CHAGER		1				
D10		COMPO-PARTS						
A05B	197280-8	BATTERY BL1850B SET		2				
E01	688238-3	LINE FILTER		2				
E02	688162-0	LINE FILTER		1				
E03	688164-6	Linjski filter za enosmerno napetost		2				
E04	819V88-9	SOUND 95DB LABEL		1				

Please order the parts with part number.

Print Date 29/3/2022